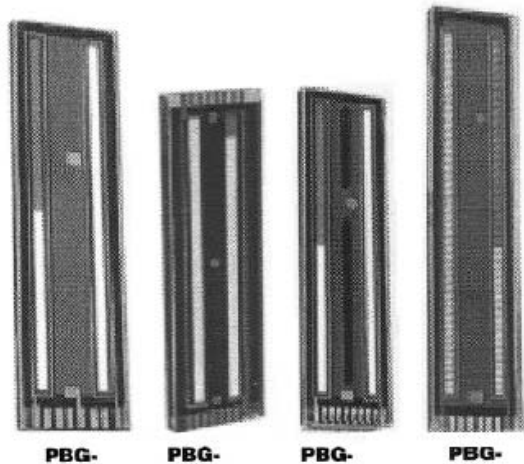


PBG

Vishay Dale

Plasma Panel Displays Dual Linear Bar Graph



FEATURES

- Two separate bar graphs, each including reset for 1/2% or 1% resolution (see chart)
- At normal viewing distances glow blends into continuous, but precisely controlled bar length
- Unique scanning technique minimizes the number of drivers required
- PBG-12203 bars may be scanned from either direction or both directions simultaneously
- PBG-12203 can display four separate columns of information, providing combined total of information does not exceed 201 clock counts per bar

ENVIRONMENTAL SPECIFICATIONS

- Altitude:** 0 to 70,000 feet.
- Operating Temperature:** 0°C to + 55°C.
- Storage Temperature:** - 55°C to + 85°C.
- Relative Humidity (No Condensation):** 85% maximum.
- Vibration:** .018 inches DA, 10 to 50 Hz, 2G, 50 to 2000 Hz.
- Shock:** 50G, 1/2 sine wave, 11 mS duration.

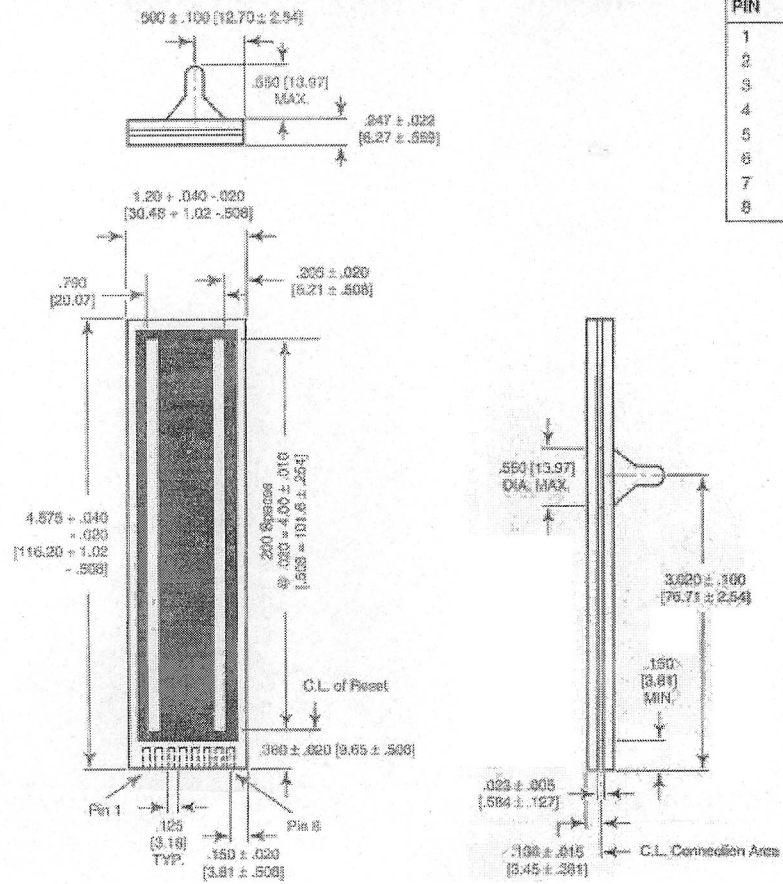
ELECTRICAL SPECIFICATIONS																
OPERATING PARAMETERS	PBG-12201				PBG-12203				PBG-12205				PBG-16101			
Parameter	Min.	Max.	Rec.	Units	Min.	Max.	Rec.	Units	Min.	Max.	Rec.	Units	Min.	Max.	Rec.	Units
Anode Supply Voltage	235	265	250	V	235	265	250	V	235	265	250	V	235	265	250	V
Cathode Off Bias Voltage	68	76	72	V	68	76	72	V	68	76	72	V	68	76	72	V
Anode Off Bias Voltage	80	120	100	V	80	120	100	V	80	120	100	V	80	120	100	V
Anode Sustaining Voltage (Typical)	—	—	150	V	—	—	150	V	—	—	150	V	—	—	150	V
Refresh Rate	—	—	70	Hz	—	—	70	Hz	—	—	70	Hz	—	—	70	Hz
Keep Alive Anode Resistor	—	—	1M	Ω	—	—	1M	Ω	—	—	1M	Ω	—	—	1M	Ω
Keep Alive Cathode Resistor	—	—	1M	Ω	—	—	1M	Ω	—	—	1M	Ω	—	—	1M	Ω
Keep Alive Current (Typical)	—	—	50	μA	—	—	50	μA	—	—	50	μA	—	—	50	μA
Display Anode Resistor	—	—	36k	Ω	—	—	24k	Ω	—	—	24k	Ω	—	—	20k	Ω
Display Peak Anode Current	2.5	3.0	2.8	mA	3.7	4.5	4.2	mA	3.5	5.0	4.0	mA	4.0	6.0	5.0	mA
Scan Time per Cathode	70	90	70	μS	70	90	70	μS	60	90	70	μS	120	180	140	μS
Applied Reset Pulse Width	140	180	140	μS	140	180	140	μS	70	180	140	μS	120	180	140	μS

OPTICAL SPECIFICATIONS								
	PBG-12201		PBG-12203		PBG-12205		PBG-16101	
Elements	201		203		201		101	
Resolution	1/2%		1/2%		1/2%		1%	
Segment Length	.100"		.150"		.100"		.100"	
Segment Width	.011"		.010"		.011"		.020"	
Segment Spacing	.020"		.020"		.020"		.050"	
Drivers Required	6		12		8		6	
Lumiance	35 fl		30 fl		70 fl		60 fl	
Viewing Angle	120°		120°		120°		120°	
Color	Neon Orange		Neon Orange		Neon Orange		Neon Orange	

MODEL PBG

DIMENSIONAL CONFIGURATIONS [Numbers in brackets indicate in [millimeters]]

PBG-12201



PIN	CONNECTION
1	Channel No. 1 Anode
2	Phase 1 Cathode
3	Phase 3 Cathode
4	Reset Cathode
5	Keep Alive Anode
6	Keep Alive Cathode
7	Phase 2 Cathode
8	Channel No. 2 Anode

Block Diagram of Typical Drive Circuit

