



MASTER MHN-SE

MASTER MHN-SE 2000W/956 GX22 400V HO

Very compact quartz metal halide lamps with single-pin GX-22 lamp cap

Product data

• General Characteristics

Cap-Base	GX22
Cap-Base Information	na [-]
Bulb	TD40 [TD 40mm]
Bulb Finish	Clear
Operating Position	any [Any or Universal (U)]
Life to 5% failures	1300 hr
Life to 10% failures	1650 hr
Life to 20% failures	2100 hr
Life to 50% failures	3000 hr

• Light Technical Characteristics

Color Code	956 [CCT of 5600K]
Color Rendering Index	84 Ra8
Color Designation (text)	Daylight
Color Temperature	5600 K
Color Temperature Technical	5600 K
Luminous Flux Lamp EM	220000 Lm
Luminous Efficacy Lamp EM	108 Lm/W
Lumen Maintenance 1000h	95 %
Lumen Maintenance 2000h	91 %
Chromaticity Coordinate X	338 -
Chromaticity Coordinate Y	368 -

• Electrical Characteristics

Lamp Wattage	2000 W
--------------	--------

Lamp Wattage EM 25°C, Nominal	2000.0 W
Lamp Wattage EM 25°C, Rated	2100.0 W
Voltage	400 V
Lamp Voltage	210 V
Lamp Current EM	11.2 A
Dimmable	No

• Environmental Characteristics

Energy Efficiency Label (EEL)	A+
Mercury (Hg) Content	215 mg
Energy consumption kWh/1000h	2310 kWh

• UV-related Characteristics

Specific Eff. Radiant Power	60 mW/klm
-----------------------------	-----------

• Luminaire Design Requirements

Pinch Temperature	450 (max) C
Bulb Temperature	1015 (max) C

• Product Dimensions

Overall Length C	198 (max) mm
Diameter D	41 (max) mm
Arc Length O	25 mm

• Product Data

Order code	928196905130
------------	--------------

PHILIPS

MASTER MHN-SE

Full product code 928196905130
 Full product name MASTER MHN-SE 2000W/956 GX22
 400V HO
 Order product name MASTER MHN-SE 2000W/956 GX22
 400V HO
 Pieces per pack 1
 Packing configuration 1
 Packs per outerbox 1

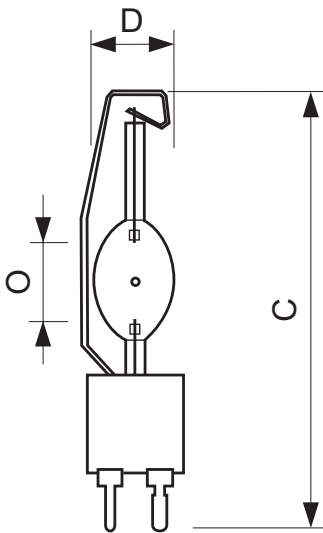
Bar code on pack - EAN1 8718291548461
 Bar code on outerbox - EAN3 8727900928778
 Logistic code(s) - 12NC 928196905130
 Net weight per piece 0.152 kg

Warnings and Safety

- Use only in totally enclosed luminaire, even during testing (IEC61167, IEC 62035, IEC60598)
- The luminaire must be able to contain hot lamp parts if the lamp ruptures

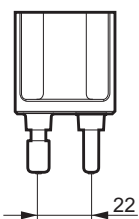
- A lamp breaking is extremely unlikely to have any impact on your health. If a lamp breaks, ventilate the room for 30 minutes and remove the parts, preferably with gloves. Put them in a sealed plastic bag and take it to your local waste facilities for recycling. Do not use a vacuum cleaner.

Dimensional drawing



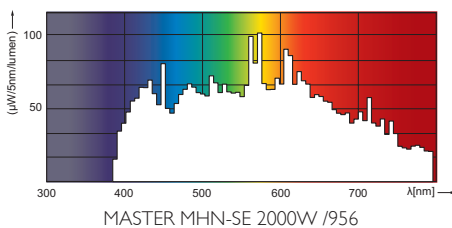
MASTER MHN-SE 2000W/956 GX22 400V HO

Product	C (Max)	D (Max)	O (Norm)
MHN-SE 2000W/956 GX22 400V HO	198	41	25



GX22

Photometric data





© 2015 Koninklijke Philips N.V. (Royal Philips)
All rights reserved.

Specifications are subject to change without notice. Trademarks are the property of Koninklijke Philips N.V. (Royal Philips) or their respective owners.

www.philips.com/lighting

2015, September 24
data subject to change