

Scientific
Education

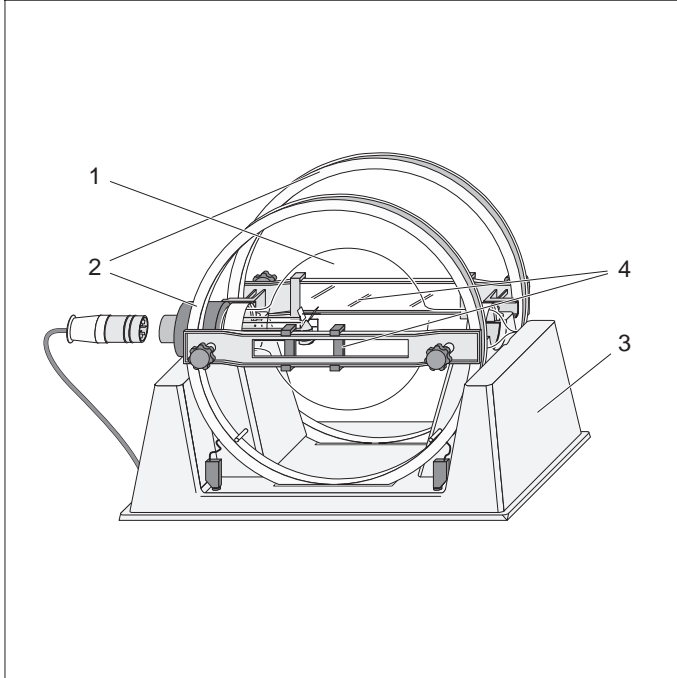
Technical Training
and Education

Trade



LEYBOLD DIDACTIC GmbH

03/99-V5-Sel



Instruction Sheet 555 571

Fine beam tube (555 571) Helmholtz coils with holder and measuring device (555 581)

- 1 Fine beam tube
- 2 Helmholtz coils
- 3 Holder
- 4 Measuring device

The fine beam tube (555 571) is used in conjunction with the Helmholtz coils with holder and measuring device (555 581) to investigate the deflection of electron beams in electrical and magnetic fields, particularly the determination of the specific electron charge e/m .

The electron-beam system of the fine beam tube consists of an indirectly heated cathode, a conical anode from which the electrons emerge straight up, and a Wehnelt cylinder for focusing the electron beam. A pair of plates is positioned directly behind the anode for electrostatic deflection of the electron beam.

The Helmholtz coils with holder and measuring device (555 581) allow you to put the fine beam tube into operation and enable generation of a homogeneous magnetic field perpendicular to the electron beam of the fine beam tube. The operating voltages are connected in a clearly understandable fashion via safety sockets in the connection panel, which are internally connected with the sockets for the Helmholtz coils and connected to the electron beam system via a permanently attached cable. The measuring device, consisting of one straight member with two slides and one straight member with mirror, allows you to determine the diameter of a circular electron beam.

Safety notes

Attention: The fine beam tube requires dangerous contact voltages of up to 300 V for accelerating the electrons. Other voltages that are connected with this dangerous contact voltage also present a contact hazard. Dangerous contact voltages are thus present at the connection panel of the stand and at the Helmholtz coils when the fine beam tube is in operation.

- Connect the connection panel only via safety connecting leads.
- Always be sure to switch off all power supplies before connecting and altering the experiment setup.
- Do not switch on the power supplies until you have finished assembling the circuit.
- Do not touch the experiment setup, particularly the Helmholtz coils, during operation.

Danger of implosion: the fine beam tube is an evacuated glass vessel with thin walls.

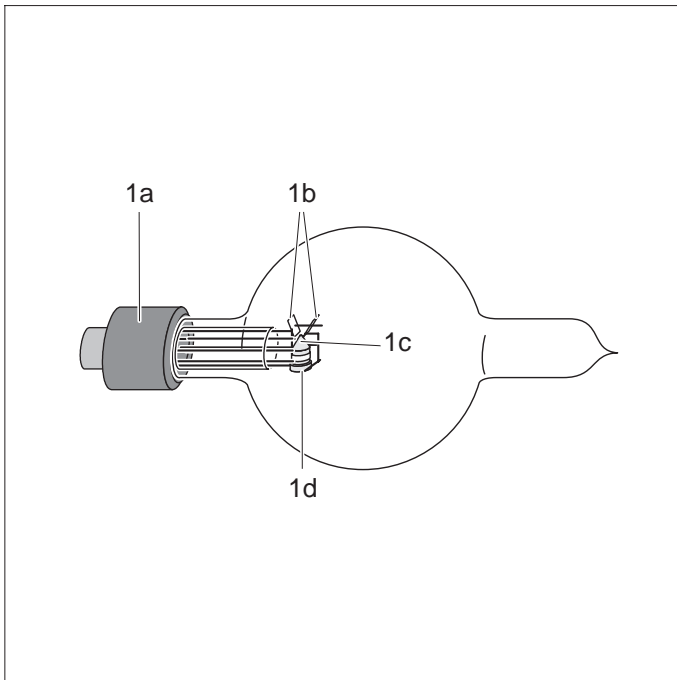
- Do not subject the fine beam tube to mechanical stresses.
- Use the fine beam tube only in the stand (555 581).
- Carefully connect the 6-pin plug of the stand to the base.

The fine beam tube can be destroyed by excessive voltages and currents, as well as by the wrong cathode temperatures.

- Do not exceed the operating parameters of the fine beam tube given in the technical data, particularly the maximum heating voltage of 6.3 V.

1 Scope of supply

1.1 Fine beam tube (555 571)



1 Fine beam tube

base (1a),
deflection plates (1b),
anode (1c),
cathode, Wehnelt cylinder (1d)

2 Technical data

2.1 Fine beam tube (555 571)

Glass bulb:

Gas filling: hydrogen, approx. 1 Pa
Diameter: 16 cm

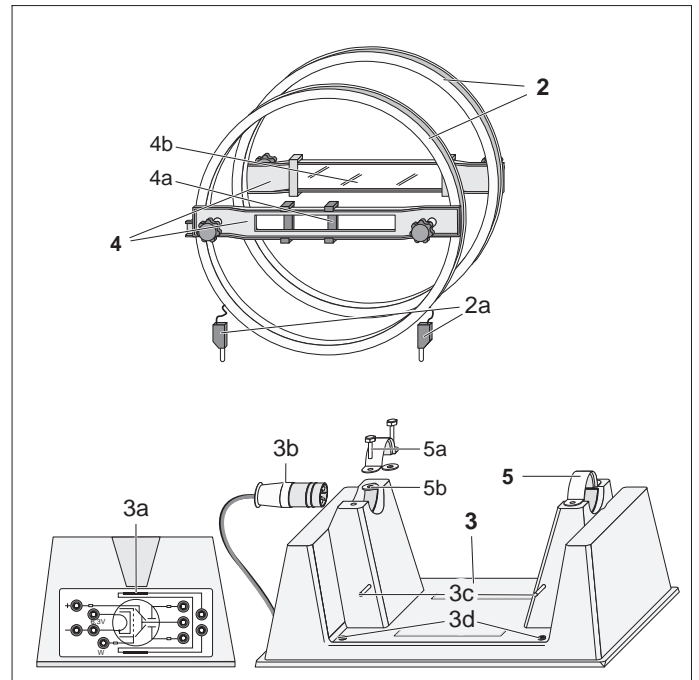
Glass base:

Connection: 6-pin

Electron beam system:

Heating voltage: 6.3 V
Heating current: approx. 0.7-0.8 A
Anode voltage: 150-300 V DC
Wehnelt voltage: ± 20 V
Plate voltage: 0-300 V DC

1.2 Helmholtz coils with holder and measuring device (555 581)



2 Pair of Helmholtz coils

4-mm plug (2a)

3 Holder

connection panel with diagram (3a), 6-pin plug (3b),
locking pins for Helmholtz coils (3c),
connection sockets for Helmholtz coils (3d)

4 Measuring device (catalog number: 555 59)

straight member with slides (4a), straight member with mirror (4b)

5 Retainer brackets

M4 screws (5a), washers (5b)

2.2 Helmholtz coils with holder and measuring device (555 581)

Pair of Helmholtz coils:

Number of turns: 130 per coil
Maximum coil current: 2 A (3 A transient)
Resistance: approx. 2 Ω per coil
Coil radius: 150 mm
Coil spacing: 150 mm

Relationship between magnetic field B and coil current I :

$$B = \mu_0 \cdot \left(\frac{4}{5}\right)^2 \cdot \frac{n}{R} \cdot I$$

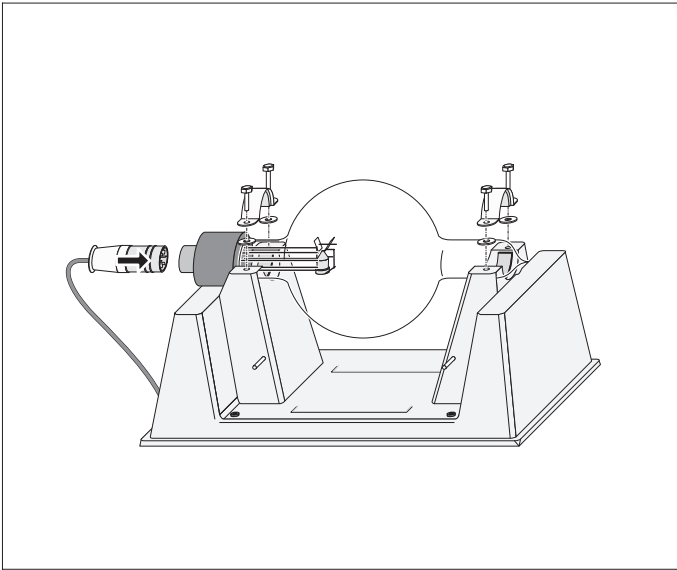
$\mu_0 = 4\pi \cdot 10^{-7} \frac{\text{Vs}}{\text{Am}}$: magnetic field constant

R : Coil radius

n : Number of turns = 130 per coil

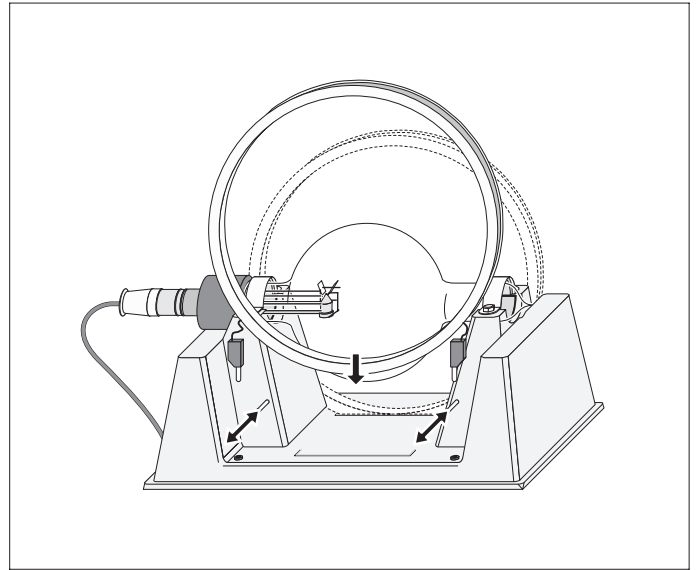
3 Assembly

3.1 Mounting the fine beam tube:



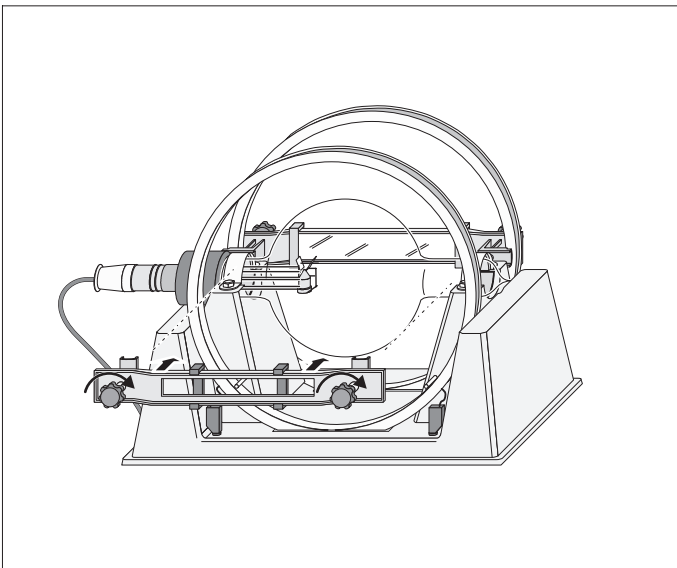
- Mount the fine beam tube so that the beam opening of the anode is pointing straight up.
- Alternately tighten the screws of the retainer brackets, being very careful to avoid one-sided mechanical stresses.
- Carefully connect the 6-pin plug to the glass base.

3.2 Mounting the Helmholtz coils:



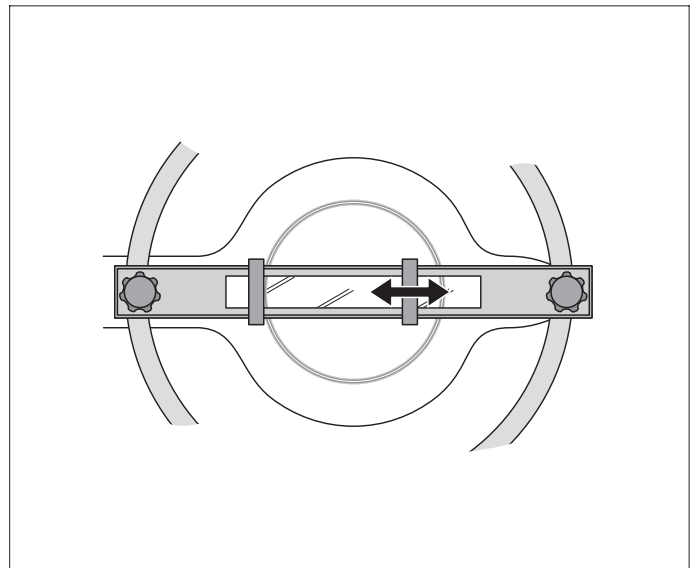
- Push the locking pins "forward", mount the "back" Helmholtz coil and plug the 4-mm connector into the corresponding socket.
- Push the locking pins "backward", and mount and connect the "front" Helmholtz coil.
- Set the pins in the middle position to hold both coils in place.

3.3 Attaching the measuring device



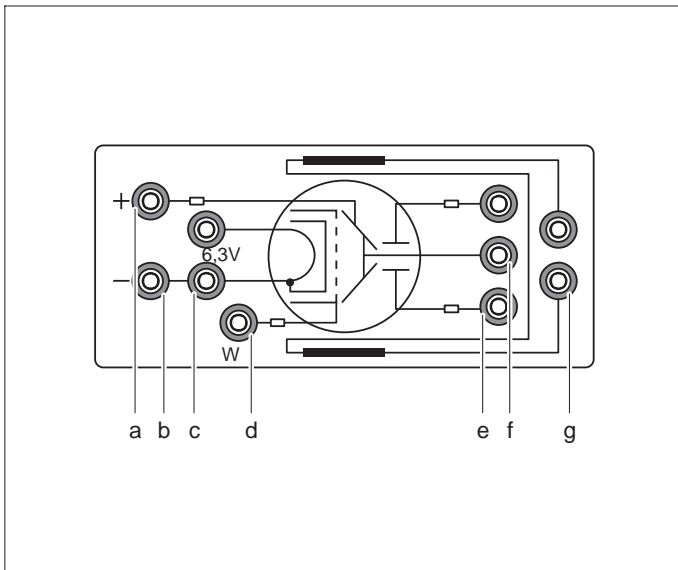
- Attach the straight member with mirror horizontally to the back Helmholtz coil and the member with two slides to the front Helmholtz coil.

3.4 Using the measuring device



- Move the left slide so that the inside edge, the mirror image and the beam aperture of the electron beam are in one line of sight.
- Move the right slide until the inside edge, mirror image and fine beam are in line.

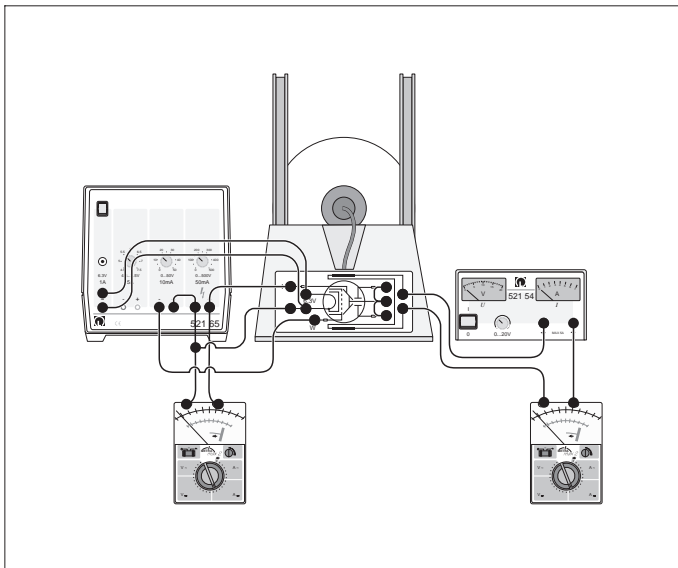
4 Socket assignments



- a Anode
- b Cathode
- c Cathode heating
- d Wehnelt cylinder
- e Deflection plates
- f Anode, for symmetrical adjustment of the deflection voltage
- g Helmholtz coils

5 Operation

5.1 Determining e/m (deflection in a magnetic field)



Additionally required:

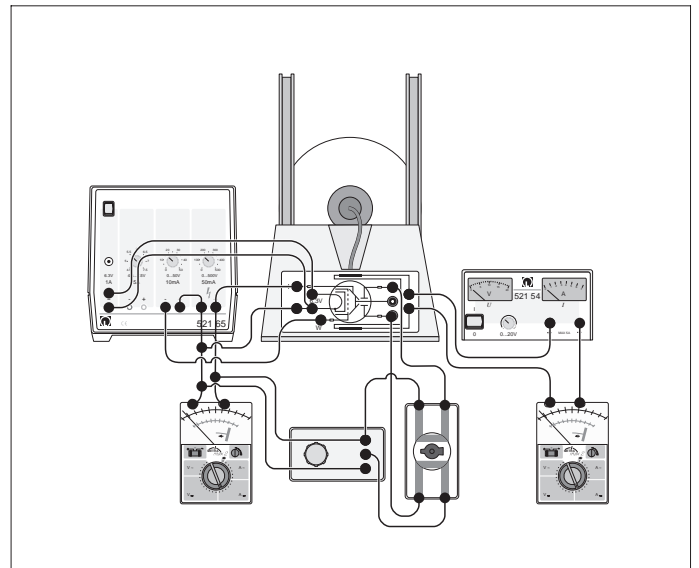
- 1 Tube power supply 521 65
- 1 Voltmeter, 300 V DC e.g. 531 100
- 1 Stabilized power supply, 20 V, 3 A, DC e.g. 521 54
- 1 Ammeter, 3 A DC e.g. 531 100

– Apply the heating voltage 6.3 V and anode voltage 150-300 V, and connect the deflection plates to the anode potential.

Thermionic emission begins within just a few minutes of switching on the setup.

– Optimize the beam by varying the voltage to the Wehnelt cylinder.

5.2 Further deflection in an electrical field



Additionally required:

- 1 Commutator switch 504 49
- 1 Measuring resistor 100 kΩ 537 85

Note: Do not exceed an anode voltage of 250 V.