



Philips QL Induction  
Lighting Systems

*Ideal for decorative street  
lighting, bridges and tunnels,  
hazardous areas, freezers and  
hard-to-reach applications*

QL INDUCTION

## Ultra dependable white light

Philips QL Induction Lighting System offer electrodeless technology with an amazing 100,000 hours rated average life.<sup>1</sup>

### **Ultra-long life**

- 100,000 hours rated average life<sup>1</sup> and virtually maintenance free

### **Crisp white light with no color shift**

- 80 CRI and choice of color temperature

### **Operates in hot and cold environments—amalgam control**

- High reliability—instant hot and cold (re)start

### **Low EMI—complies with FCC non-consumer limits**

### **High lumen output**

- 165W QL features 12,000 initial lumens

<sup>1</sup>) See back page for footnote

**PHILIPS**  
sense and simplicity

# Philips QL Induction Lighting Systems: 55, 85 and 165 Watt Systems

## Ordering, Electrical and Technical Data

Product Number	Ordering Code	Watts	Pack. Qty.	Description	MOL (In.)	Rated Average Life (Hrs.) <sup>1</sup>	Approx. Initial Lumens <sup>2</sup>	Approx. Mean Lumens <sup>3</sup>	CRI	CCT (K)
13542-6	QL 55W/GEN100-120V	55	6	Generator, 120V	6	100,000	—	—	—	—
13543-4	QL 55W/GEN200-277V	55	6	Generator, 277V	6	100,000	—	—	—	—
13544-2	QL 55W/PC	55	6	Power Coupler	6½	100,000	—	—	—	—
13545-9	QL 55W/830	55	6	Lamp 3K	5½	100,000	3500	2800	80	3000
13546-7	QL 55W/840	55	6	Lamp 4K	5½	100,000	3500	2800	80	4000
20095-6	QL 55W/850	55	6	Lamp 5K	5½	100,000	3500	2800	80	5000
13547-5	QL 85W/GEN100-120V	85	6	Generator, 120V	6	100,000	—	—	—	—
13548-3	QL 85W/GEN200-277V	85	6	Generator, 277V	6	100,000	—	—	—	—
13549-1	QL 85W/PC	85	6	Power Coupler	7½	100,000	—	—	—	—
13550-9	QL 85W/830	85	6	Lamp 3K	7½	100,000	6000	4800	80	3000
13551-7	QL 85W/840	85	6	Lamp 4K	7½	100,000	6000	4800	80	4000
20096-4	QL 85W/850	85	6	Lamp 5K	7½	100,000	6000	4800	80	5000
14991-4	QL 165W/GEN100-120V	165	6	Generator, 120V	7½	100,000	—	—	—	—
14990-6	QL 165W/GEN200-277V	165	6	Generator, 277V	7½	100,000	—	—	—	—
36916-5	QL 165W/PC	165	6	Power Coupler	8½	100,000	—	—	—	—
36917-3	QL 165W/830	165	6	Lamp 3K	8½	100,000	12,000	9600	80	3000
36918-1	QL 165W/840	165	6	Lamp 4K	8½	100,000	12,000	9600	80	4000
20097-2	QL 165W/850	165	6	Lamp 5K	8½	100,000	12,000	9600	80	5000

1) Rated average life is the life obtained, on the average, from large representative groups of lamps in laboratory tests under controlled conditions at 10 or more operating hours per start. It is based on survival of at least 50% of the lamps and allows for individual lamps or groups of lamps to vary considerably from the average.

2) Approximate lumen values listed are for vertical operation of the lamp.

3) Approximate lumen output at 60% of lamp rated average life.

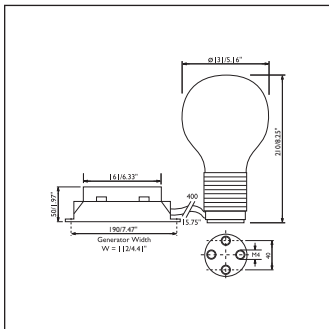
**Note:** QL System requires all three components to operate (order 3 product numbers).

Power Factor > .9, THD < 10%

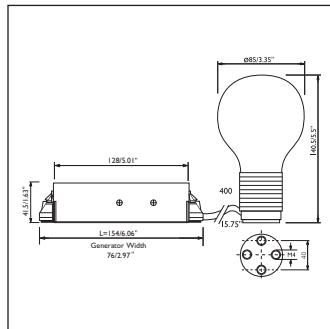
QL System Listings: UL, CSA, FCC Class A

Above specifications subject to change without notice.

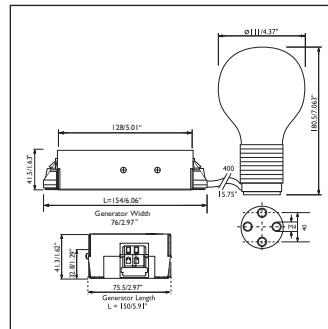
### 165W System



### 55W System



### 85W System



**Note:** The lamp system is UL, FCC and CSA approved. A booklet, *Philips induction lamp systems—Information for Original Equipment Manufacturers*, is available on request. Luminaire design and temperature parameters will be found in this booklet.



© 2008 Philips Lighting Company. All rights reserved.  
Printed in USA 02/08

P-5456-J

www.philips.com

Philips Lighting Company  
200 Franklin Square Drive  
P.O. Box 6800  
Somerset, NJ 08875-6800  
1-800-555-0050

A Division of Philips Electronics North America Corporation

Philips Lighting  
281 Hillmount Road  
Markham, Ontario  
Canada L6C 2S3  
1-800-555-0050

A Division of Philips Electronics Ltd.