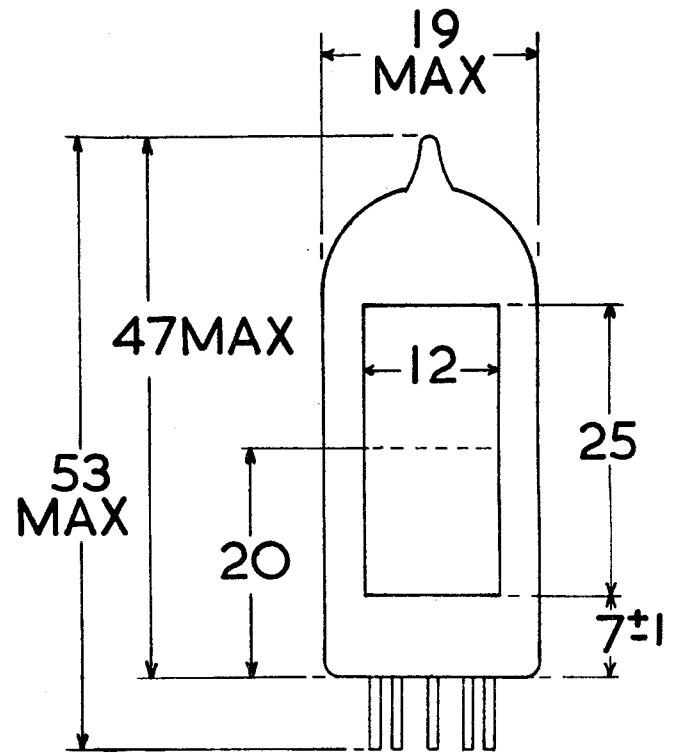


**GENERAL.**

Spectral Response . . . . .	Type S.
Wavelength of Maximum Response . . . . .	8000 ± 1000 A.U.
Cathode:	
Shape . . . . .	Semi-cylindrical.
Projected Width . . . . .	12 mm.
Length . . . . .	25 mm.
Anode . . . . .	Rod Type.
Inter-electrode Capacitance . . . . .	0.9 μμf.
Maximum Overall Length . . . . .	53 mm.
Maximum Seated Length . . . . .	47 mm.
Seated Length to Cathode centre . . . . .	20 mm. approx.
Maximum bulb diameter . . . . .	19 mm.
Mounting position . . . . .	Any.
Basing . . . . .	B7G.
Base Connections . . . . .	Pin 4 - Anode.
	Pins 2 & 6 - Cathode.

**VACUUM PHOTOCELL.**



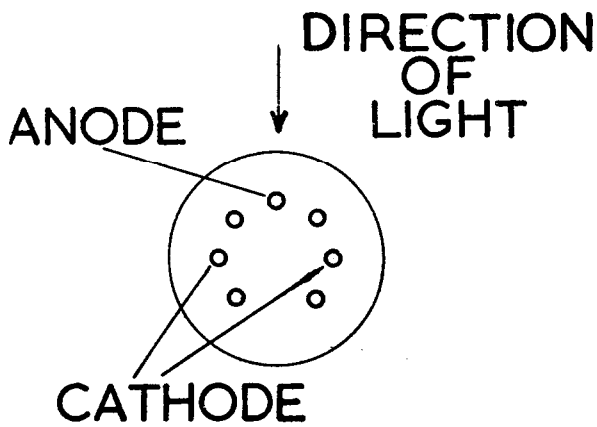
**Maximum Ratings**

Anode Supply Voltage (DC or peak AC) . . . . .	200 max.
Average Cathode Current . . . . .	2 μA. max.
Peak Cathode Current . . . . .	8 μA. max.
Ambient Temperature . . . . .	100°C. max.

**Characteristics**

Maximum Dark Current at 100 volts . . . . .	0.05 μA.
Sensitivity (minimum)* . . . . .	15 μA/lumen.
Sensitivity (maximum)* . . . . .	40 μA/lumen.

\*Measured with an incandescent tungsten filament at a colour temperature of 2700°K.



**(All sizes in Millimetres)**