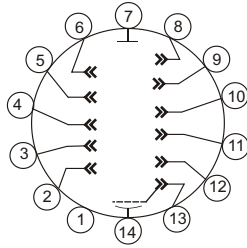
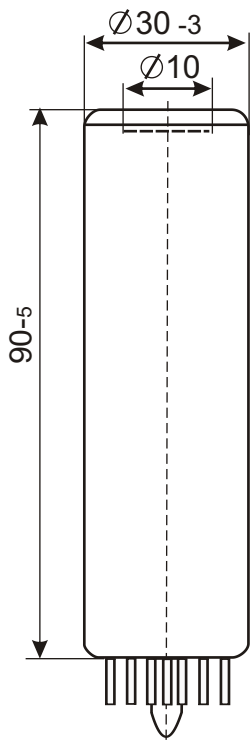
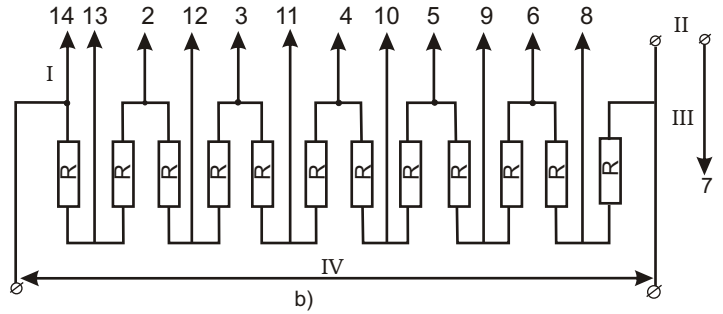
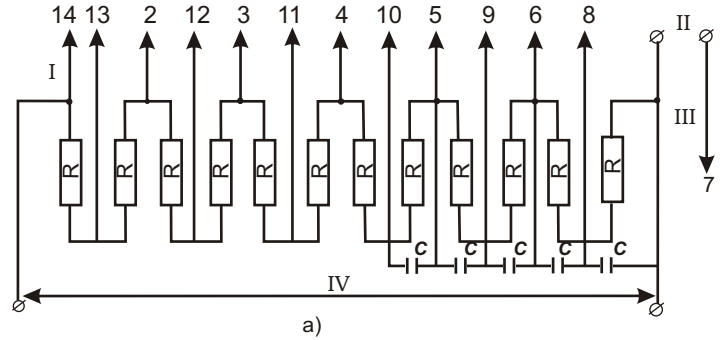


ФЭУ-115М



Connetion of electrodes to pins:
 1 - vacant; 2 - second dynode; 3 - fourth dynode; 4 - sixth dynode; 5 - eighth dynode; 6-tenth dynode; 7- anode; 8 - eleventh dynode; 9 - ninth dynode; 10 - seventh dynode; 11 - fifth dynode; 12-third dynode; 13-first dynode; 14 - cathode



Voltage divider:

I- cathode; II- to load; III- anode; IV- to supply source (a) Voltage divider is of the stepped type. The resistance value of the divider section (R) is $\leq M\Omega$. The divider sections (R) may be replaced with individual supply sources having internal resistance of $\leq 0.3 M\Omega$. The number of capacitors and their capacitance values will be selected depending on the anode pulse parameters. (b) Voltage divider is of the continuous type. The resistance of the divider section (R) is $\leq M\Omega$. The divider sections (R) may be replaced with individual supply sources having internal resistance of $\leq M\Omega$.

GENERAL

The photomultiplier has been designed for indicating and measuring weak light fluxes.

Photocathode material.....	Sb-K-Na-Cs
Photocathode diameter, mm.....	25
Window material	glass C93-2
Optical input	end
Dynode assembly.....	with trough-type dynodes
Dynode material.....	Al-Mg-Sr-Ti
Design.....	glass, with rigia pins
Bulb diameter, mm, max.....	30
Working position	any
Overall length, mm, max.....	107
Seated height, mm, max.....	90
Weight, g, max.....	50

BASIC CHARACTERISTICS

Photocathode sensitivity, $\mu A/lm$	8×10^{-5}
Anode sensitivity, A/lm:	
at supply voltage 1330 V max.....	10
at supply voltage 1530 V max.....	30

Dark anode current at voltage corresponding to anode sensitivity 10 A/lm, A.....	3×10^{-10}
Lumen equivalent of noise, $lm/Hz^{1/2}$;	
dark anode current.....	4×10^{-13}
current due to background light flux $1 \times 10^{-6} lm$	1.4×10^{-10}

Compliance of luminous characteristic to specified linearity limit in static mode, A, max.....	104
Nonuniformity of anode sensitivity over photocathode, %, max.....	40
Minimum life, h.....	750

Ratings

	Maximum
Supply voltage, V	$1.05 \times U_{sa}$
(U_{sa} - voltage corresponding to anode sensitivity 30 A/lm)	
Anode current, A.....	2.5×10^{-4}