

## No Adjustments Required, High Voltage Power Supply Incorporated, Requires Only +5V Source

Model H6180-01 is a compact photon counting head comprising a PMT, high-speed photon counting circuit, and high voltage power supply. Its operation only requires connecting a +5Vdc power supply and a pulse counter; no need for discrimination level or high voltage adjustment by the user.

### FEATURES

- No Adjustments Required
- High Voltage Power Supply Incorporated
- Requires Only +5Vdc Sources
- Compact and Lightweight

### APPLICATIONS

- Chemiluminescence Detection
- Bioluminescence Detection
- Other Low Level Light Detection

### SPECIFICATIONS

#### MAXIMUM RATINGS

Parameter	Value	Unit
Supply Voltage	+6	Vdc
Count Rate	30	Mcps
Operating Temperature	0 to +45	°C
Storage Temperature	-20 to +60	°C

#### GENERAL SPECIFICATIONS(at 25°C)

Parameter	Value	Unit
Photosensitive Area	15	mm dia. Min.
Sensitive Wavelength Range	300 to 650	nm
Peak Response (at 400nm)	$3.2 \times 10^5$	cps/pW
Counting Linearity *	6	Mcps
Dark Count (at +25°C)	10	cps
Pulse Pair Resolution	18	ns
Output Voltage Into 50Ω	3	V
Output Pulse Width	9	ns
Input Current at 6Mcps Output	125	mA Max.
Input Voltage	+5 (± 5%)	Vdc
Weight	H6180-01	135
	Mounting Flange	25

\* at -10% deviation from linear output.



▲ H6180-01 with Optional Mounting Flange

Figure 1: Internal Diagram

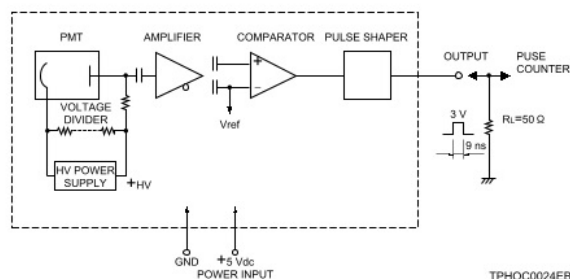
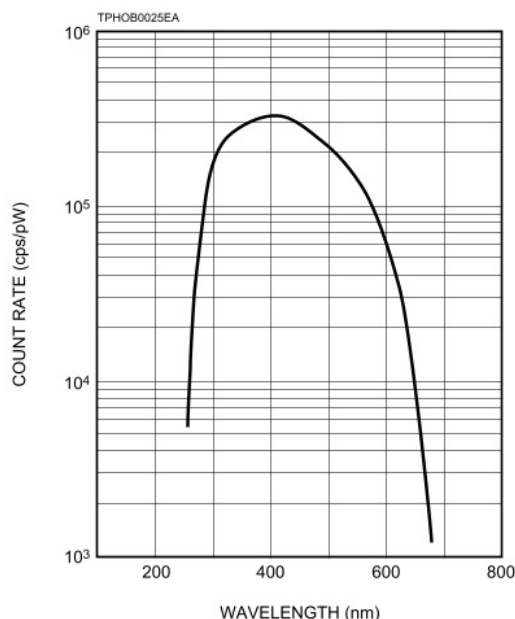


Figure 2: Spectral Counting Characteristic



# INTEGRATED PHOTON COUNTING HEAD H6180-01

Figure 3: Linearity (Dynamic Range)

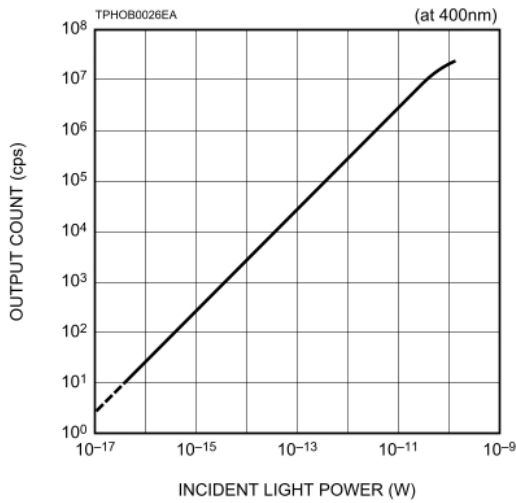


Figure 4: Typical Dark Count vs. Temperature

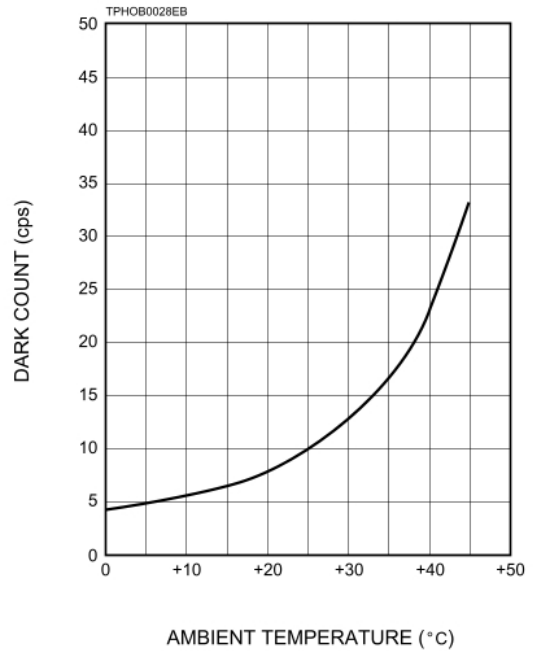
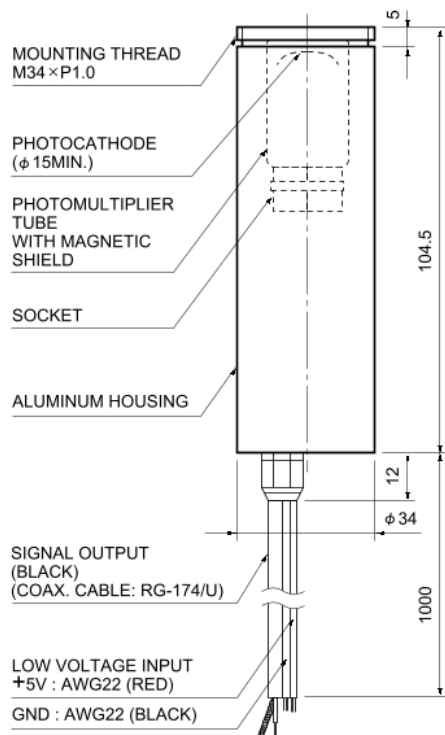
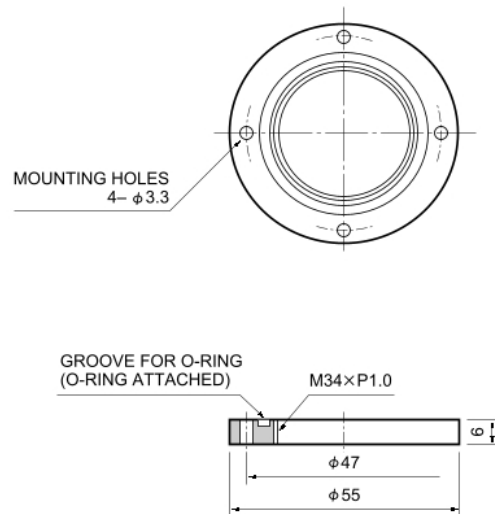


Figure 5: Dimensional Outline (Unit:mm)



## OPTIONAL MOUNTING FLANGE E6264



Material : Aluminum

TPHOA0012EA

# HAMAMATSU

HAMAMATSU PHOTONICS K.K., Electron Tube Center

314-5, Shimokanzo, Toyooka-village, Iwata-gun, Shizuoka-ken, 438-0193, Japan, Telephone: (81)539/62-5248, Fax: (81)539/62-2205

U.S.A.: Hamamatsu Corporation: 360 Foothill Road, Bridgewater, N.J. 08807-0910, U.S.A., Telephone: (1)908-231-0960, Fax: (1)908-231-1218

Germany: Hamamatsu Photonics Deutschland GmbH: Arzbergerstr. 10, D-82211 Herrsching am Ammersee, Germany, Telephone: (49)8152-375-0, Fax: (49)8152-2658

France: Hamamatsu Photonics France S.A.R.L.: 8, Rue du Saule Trapu, Parc du Moulin de Massy, 91882 Massy Cedex, France, Telephone: (33)1 69 53 71 00, Fax: (33)1 69 53 71 10

United Kingdom: Hamamatsu Photonics UK Limited: Lough Point, 2 Gladbeck Way, Windmill Hill, Enfield, Middlesex EN2 7JA, United Kingdom, Telephone: (44)181-367-3560, Fax: (44)181-367-6384

North Europe: Hamamatsu Photonics Norden AB: Färögatan 7, S-164-40 Kista Sweden, Telephone: (46)8-703-29-50, Fax: (46)8-750-58-95

Italy: Hamamatsu Photonics Italia: S.R.L.: Via Della Moia, 1/E, 20020 Arese, (Milano), Italy, Telephone: (39)2-935 81 733, Fax: (39)2-935 81 741

TPHO1008E03

JAN. 1997