



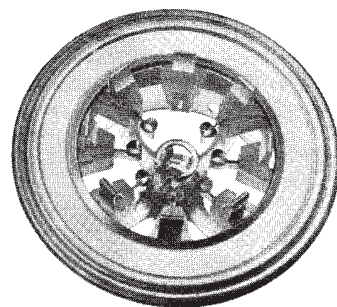
TECHNICAL DATA

SK-600A
SK-610A
AIR-SYSTEM
SOCKETS

This series of sockets provide terminal connection, cooling air direction, and a low inductance screen bypass capacitor for the power tubes listed below. The SK-600 series sockets may be used with other tube types having similar basing.

These Air-System Sockets are recommended for use with the following tubes:

| | | |
|---------------|---------------|---------------|
| 7034/4X150A | 8249/4W300B | 8904/4CX350FJ |
| 7203/4CX250B | 8321/4CX350A | 8930 |
| 7580W/4CX250R | 8322/4CX350F | 8957/4CX250BC |
| 7609 | 8621/4CX250FG | |



Normally the ceramic chimney SK-606 is used with these two sockets to direct the cooling air past the body of the tube as it flows from pressurized chassis through the socket, then through the tube anode fins. Reverse air direction may be used. (Type 8930 uses Chimney SK-646).

The base contact fingers and the screen terminal fingers are heat treated beryllium copper. The base contact fingers are supported and insulated by polytrifluoroethylene, an excellent insulating material even at ultra high frequencies. All contact fingers, and the brass shell are silver plated to insure good contact and to resist corrosion.

These sockets have hermetically sealed screen bypass capacitors to protect against moisture and dirt.

The SK-600A socket has all base terminals brought out separately. The SK-610A has cathode terminals 2, 4, 6 and 8 connected to the shell.

INSTALLATION

These Air-System Sockets can be mounted on chassis decks or partitions or in coaxial tuning devices with no modification to the socket. Chassis mounting is accomplished by cutting a 2 1/4" diameter hole in the chassis deck or partition. The socket is then placed in the hole and held securely by the three toe clamps provided.

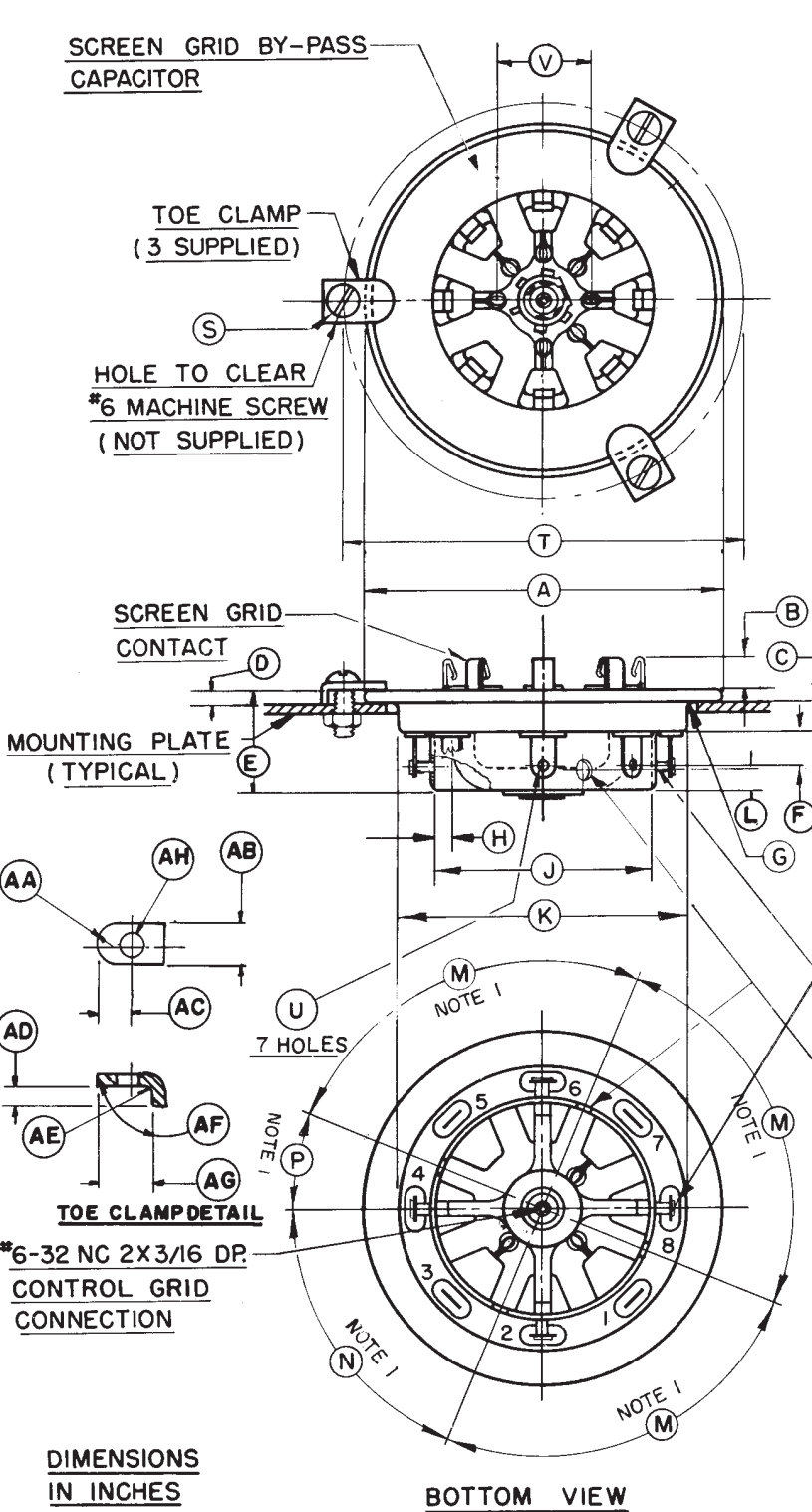
If the socket is to be used in a coaxial line, it may be mounted directly on the end of the input line outer conductor. The socket skirt fits snugly on a 1 5/8" diameter cylinder and four screw holes are provided for fastening as shown in the outline drawing.

CHARACTERISTICS

| | SK-600A | SK-610A |
|---|------------------|------------------|
| SCREEN BYPASS CAPACITOR WORKING VOLTAGE DC - - - | 1000 | 1000 |
| SCREEN BYPASS CAPACITANCE(pF) - - - - - | 2700 ± 500 | 2700 ± 500 |
| CATHODE TERMINALS CONNECT TO SHELL - - - - - | No | Yes |
| SCREEN BYPASS CAPACITOR HERMETICALLY ENCAPSULATED | Yes | Yes |
| NET WEIGHT - - - - - | 3.5 oz. (99 gms) | 3.5 oz. (99 gms) |



SK-600A, SK-610A



| DIM | INCHES | | | MILLIMETERS | | |
|-----|--------|--------|-------|-------------|--------|-------|
| | MIN. | MAX. | REF. | MIN. | MAX. | REF. |
| | A | 2.688 | 2.750 | - - | 68.27 | 69.85 |
| B | 0.234 | 0.266 | - - | 5.94 | 6.76 | - - |
| C | 0.203 | 0.235 | - - | 5.16 | 5.97 | - - |
| D | 0.125 | 0.157 | - - | 3.17 | 3.99 | - - |
| E | 0.844 | 0.906 | - - | 21.44 | 23.01 | - - |
| F | - - | - - | 0.250 | - - | - - | 6.35 |
| G | - - | 0.031R | - - | - - | 0.79R | - - |
| H | - - | - - | 0.078 | - - | - - | 1.98 |
| J | 1.633 | 1.643 | - - | 41.48 | 41.73 | - - |
| K | 2.188 | 2.208 | - - | 55.57 | 56.08 | - - |
| L | 0.172 | 0.204 | - - | 4.37 | 5.18 | - - |
| M | 89°* | 91°* | - - | 89°* | 91°* | - - |
| N | 66.5°* | 68.5°* | - - | 66.5°* | 68.5°* | - - |
| P | 21.5°* | 23.5°* | - - | 21.5°* | 23.5°* | - - |
| R | - - | - - | 0.144 | - - | - - | 3.66 |
| S | 0.142 | - - | - - | 3.61 | - - | - - |
| T | - - | - - | 3.000 | - - | - - | 76.20 |
| U | - - | - - | 0.090 | - - | - - | 2.29 |
| V | - - | - - | 0.687 | - - | - - | 17.45 |
| AA | 0.125R | 0.187R | - - | 3.17R | 4.75R | - - |
| AB | 0.292 | 0.332 | - - | 7.42 | 8.43 | - - |
| AC | 0.292 | 0.332 | - - | 7.42 | 8.43 | - - |
| AD | 0.105 | 0.145 | - - | 2.69 | 3.68 | - - |
| AE | - - | 0.062R | - - | - - | 1.57R | - - |
| AF | 80° | 100° | - - | 80° | 100° | - - |
| AG | 0.417 | 0.457 | - - | 10.59 | 11.61 | - - |
| AH | 0.142 | 0.146 | - - | 3.61 | 3.71 | - - |

*SEE NOTE 1.

CATHODE GROUND RIVETS CONNECTION NO'S 2, 4, 6, 8 (ON SK-610 A ONLY)

4 HOLES (R) (FOR CAVITY MOUNTING)

CONNECTIONS

- NO. 1 SCREEN GRID
- " 2 CATHODE
- " 3 HEATER
- " 4 CATHODE
- " 5 NO CONNECTION
- " 6 CATHODE
- " 7 HEATER
- " 8 CATHODE

NOTES:
1 - TOLERANCES ARE NOT CUMULATIVE