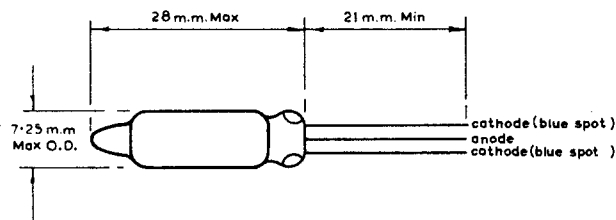


TYPE : XC25 - HIVAC.

SUBMINIATURE COLD CATHODE DIFFERENCE DIODE.

Intended for use in timing, relaxation oscillator and coincidence gating circuits.

DIMENSIONS



Note:
cathode leads must be strapped together

RATINGS

Breakdown voltage	130-160V
Maintaining voltage at 1mA	55- 65V
Continuous cathode current	1mA max.
Ionisation time—anode pulsed to:	
10% above maximum breakdown voltage	100 μ S max. Note 1
25% above maximum breakdown voltage	50 μ S max.
Deionisation time—anode pulsed from:	
110V to 45V, cathode current 1mA	150 μ S max. Note 2
Pulsed cathode current—pulse length 0.2 sec. (mark—space ratio 1:10)	10mA max.
RC oscillator extinction current	100 μ A max. Note 3

Note 1. Measured in circuit shown in Fig. 1.

Note 2. Measured in circuit shown in Fig. 2.

Note 3. Measured in circuit shown in Fig. 3, and is the current passing through the tube when C is disconnected.

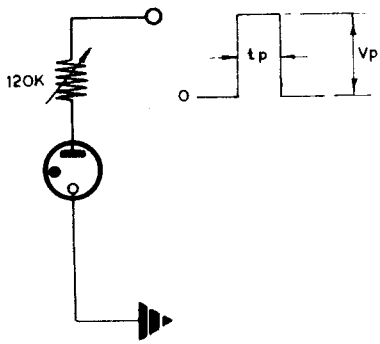
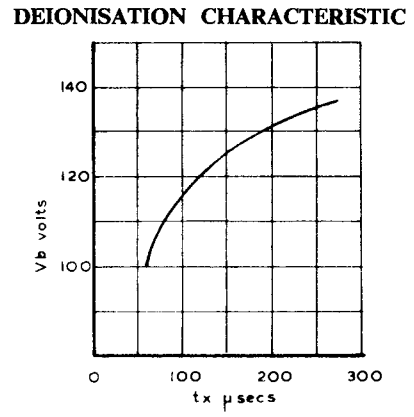
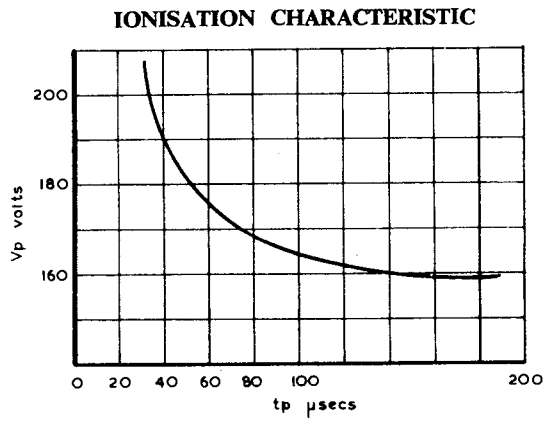


Fig. 1.

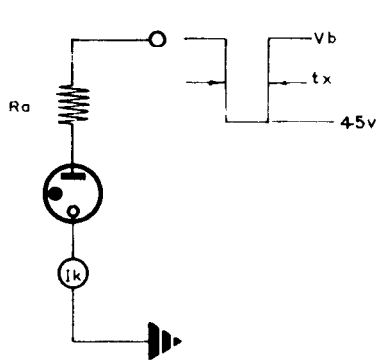


Fig. 2.

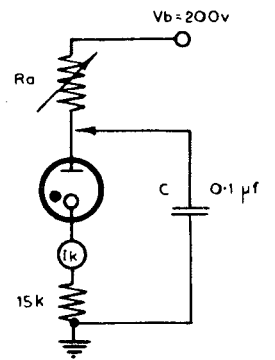


Fig. 3.